

PLUSULTRA

additional locking device - NOT MOTORIZED



PlusUltra is an easy inexpensive solution for the automation of windows with multiple locking points, avoiding the installation of additional electric actuators (or electronic locks).



- It is suitable for outward opening windows.
- PlusUltra has to be installed together with chain actuators series QUASAR and VEGA. A version for manual opening mechanism is also available.
- The force to release the locking points (before opening) and engage them again (after complete closing) is supplied by the chain of the electric actuator during the first part of its travel.
- The transmission of the movement is provided by 90° rotation of the standard pin for internal gear (7x7 mm) included in PlusUltra. The gearbox integrated in the profile operates the bars of the multiple docking hardware.
- PlusUltra provides max torque of 0.34 Nm, usually suitable for operation of max 4 locking points
- According to the actuator to which it is connected, different fixing systems are necessary.
- Available two versions: PLUSULTRA LEFT for gearbox with clockwise closing rotation
PLUSULTRA RIGHT for gearbox with counterclockwise closing rotation

POSSIBLE CONFIGURATIONS

PLUSULTRA RIGHT/LEFT + QUASAR (electric actuator) + specific brackets

PLUSULTRA RIGHT/LEFT + VEGA (electric actuator) + specific brackets

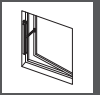
PART No.	
PLUSULTRA RIGHT GREY RAL 9006	41428TRN
PLUSULTRA RIGHT BLACK RAL 9005	41429TRN
PLUSULTRA RIGHT WHITE RAL 9010	41430TRN
PLUSULTRA LEFT GREY RAL 9006	41431TRN
PLUSULTRA LEFT BLACK RAL 9005	41432TRN
PLUSULTRA LEFT WHITE RAL 9010	41433TRN

Installation examples

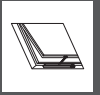
Outward



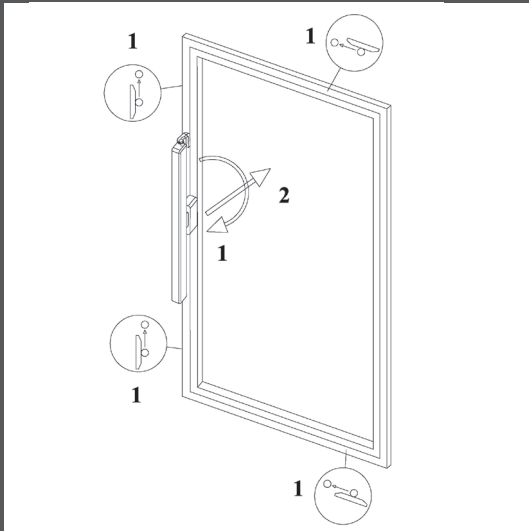
Top hinged window



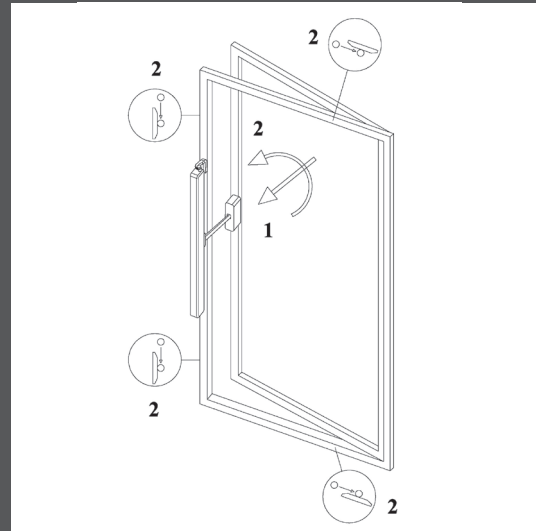
Side hinged windows



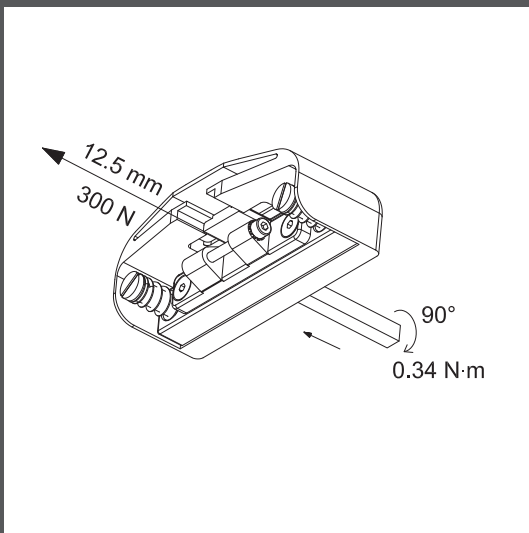
Roof windows



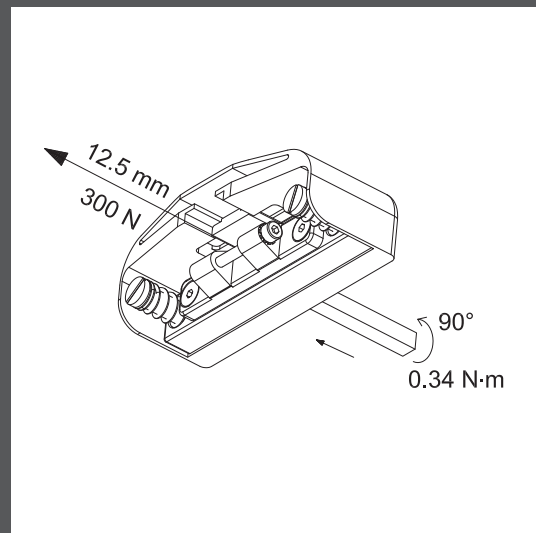
Opening: PlusUltra system releases the locking points before the window opening



Closing: PlusUltra system engages the locking points after the complete window closing



PLUSULTRA LEFT



PLUSULTRA RIGHT

Actuator dimensions

