

ADDITIONAL LOCKING DEVICES

for automated windows with multiple locking points

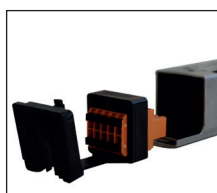
In accordance with the standards related to energy saving, water- and airtightness of the windows has become even more important, requiring hardware systems with multiple locking points.

In case of window automation it is necessary to complement the chain actuator with a further actuator, able to operate in a transversal way the window hardware, in order to engage multiple locking points on the frame.

UCS provides two solutions for this purpose: E-LOCK and Plusultra

E-LOCK

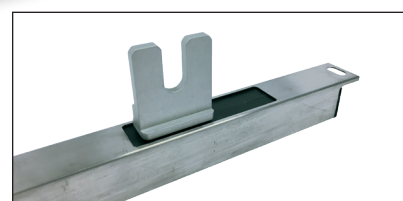
electric additional locking device



Electrical connector



E-LOCK with bracket, for installation inside the window profile

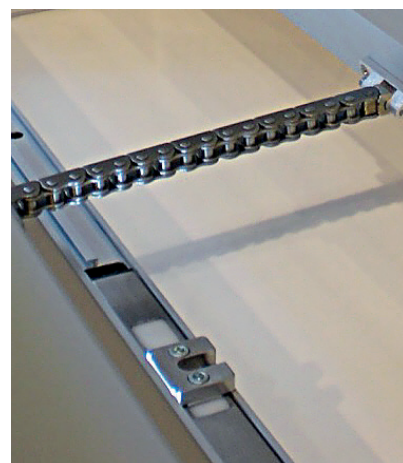


E-LOCK with LONG FORK, for installation on the window profile

E-LOCK is a linear drive designed to operate the window hardware and ensure, in combination with a chain actuator, the best window closing tightness.

E-LOCK can be integrated into the window profile (E-LOCK with bracket) or installed on the profile, connected to the window hardware with the long fork through a slot (please, contact our Technical Department). It has been designed to be used in combination with electric chain actuators series QUASAR, VEGA and NANO in 24 Vdc version

- Stainless steel case.
- The bracket can be mounted on both side of the drive.
- Provided with an emergency unlocking mechanism.
- Different strokes and directions can be selected by dip-switches.
- E-LOCK BMS version to be used with BMSline actuators for the direct connection to a Building Management System network.
- Available on request E-LOCK F-SIGNAL version that provides lock/unlock feedback signal
- It is possible to install two E-LOCK drives (in F-SIGNAL version) on one window: contact our Technical Department for the special configuration



Suitable for installation on **Smoke and Heat Exhaust Ventilators (SHEV)** in conformity to European Standard **EN 12101-2**, tested by Istituto Giordano.

	E-LOCK (with bracket)	E-LOCK (no bracket)	E-LOCK BMS (with bracket)	E-LOCK BMS (no bracket)
POWER SUPPLY	24 Vdc ± 10%	24 Vdc ± 10%	24 Vdc ± 10%	24 Vdc ± 10%
OPERATION	polarity inversion	polarity inversion	via BUS line	via BUS line
STROKE selectable by switches	19 mm - 38 mm	19 mm - 38 mm	19 mm - 38 mm	19 mm - 38 mm
FORCE (push and pull)	600 N	600 N	600 N	600 N
SPEED (full load)	~1,6 mm/s	~1,6 mm/s	~1,6 mm/s	~1,6 mm/s
CURRENT ABSORPTION (max load)	0,3 A	0,3 A	0,3 A	0,3 A
PARALLEL CONNECTION	Yes	Yes	Yes	Yes
LIMIT STOP	Hall sensor	Hall sensor	Hall sensor	Hall sensor
SAFETY STOP	Electronic	Electronic	Electronic	Electronic
PROTECTION CLASS	IP32	IP32	IP32	IP32
BMS Compatible	No	No	Yes	Yes
PART No.	41588I	41161J	41589J	48021V

Installation examples

Outward



Top hinged window



Side hinged windows



Roof windows

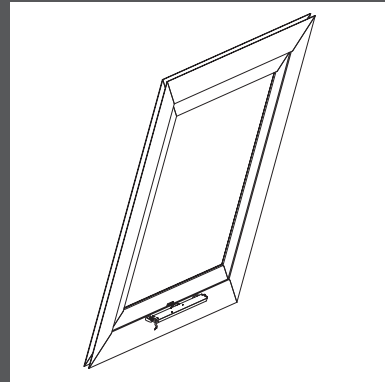
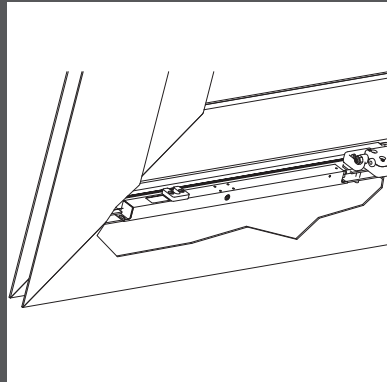
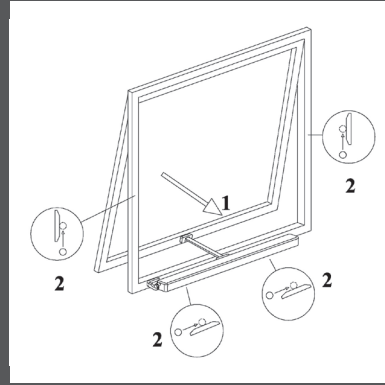
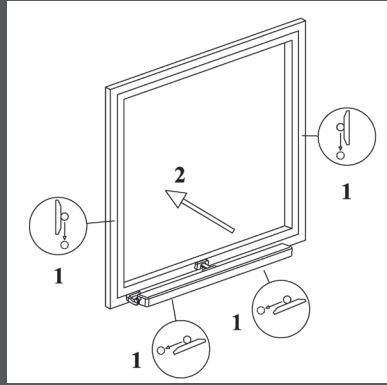


Parallel hinged windows

Inward



Bottom hinged windows



Operating logic

E-LOCK

Opening: the E-Lock actuator unlocks the hardware and, only after the complete release, the power is supplied to the chain actuator for the window opening.

Closing: the E-lock actuator remains in the unlock position until the fully closing operation of the chain actuator, and then locks the window hardware.

The sequence of the operations happens in two ways:

- delay, selectable by dip switches
- feedback signal, from microswitches or magnetic contacts installed on the window or signal coming from UCS chain actuators in "F-Signal" versions.

E-LOCK BMS

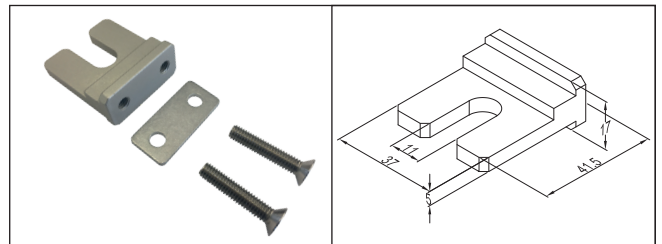
E-LOCK BMS communicates via BUS line with BMSline or with SYNCHRO NANO chain actuators, whose electronic board manages the feedback information and checks the locking or unlocking status of the hardware.

Accessories



Emergency unlocking tool
part. No. 41596Q

Long Fork Kit – for
installation of E-Lock
outside the frame of
the window.
part. No. 42138L



Actuator dimensions

