

# C240

Dual push points chain actuator  
Thrust force 400N  
Max stroke 360mm

## PRODUCT DESCRIPTION

Electric actuator Topp model C240 with 2 double-link chains, in an elegant die-cast aluminium profile, with custom-made length from 1200 mm to 4000 mm, complete with brackets and accessories for top or bottom hung windows. Operation at 230V~50Hz or, as an alternative, at 24V DC. Max. thrust force 400N. Fast hooking and unhooking system to the window frame. Max. stroke 360 mm. Electronic end of stroke in closing by current absorption control. CE marked device.



Tailored profile lengths according to the window frame width (International patent).



Cable exit on both sides of the profile.

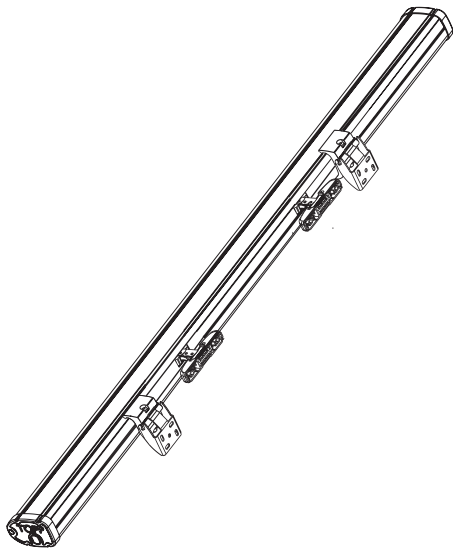


Innovatory and original design.



## TECHNICAL SPECIFICATIONS

	C240 230V	C240 24V
Power supply voltage	230V ~ 50Hz	min 21V ~ max 28V d.c.
Max applicable load in thrust	400 N	400 N
Max applicable load in traction	300 N	300 N
Stroke	360 mm	360 mm
Absorbed current	0,22 A	0,75 A
Idle translation speed	8 mm/s	7,5 mm/s
Duration of the idle stroke	46 s	48 s
Double insulated	YES	-
Service type	S2 of 4 min	S2 of 4 min
Operating temperature	- 5°C + 50°C	- 5°C + 50°C
Protection Class	IP 30	IP 30
Stroke end regulation in closure	not necessary	not necessary
Parallel connection option	YES	YES
Stroke end	Electronic in opening, by amperometric absorption in closing	



**C240 dual push points actuator (profile's length: 1200 - 1500 mm), stroke 360 mm application on top hung windows**

3A5#	Dual push points actuator C240 230V
3A5#	Dual push points actuator C240 24V

**C240 dual push points actuator (profile's length: 1510 - 2000 mm), stroke 360 mm application on top hung windows**

3A5#	Dual push points actuator C240 230 V
3A5#	Dual push points actuator C240 24 V

**C240 dual push points actuator (profile's length: 2010 - 2500 mm), stroke 360 mm application on top hung windows**

3A5#	Dual push points actuator C240 230 V
3A5#	Dual push points actuator C240 24 V

**C240 dual push points actuator (profile's length: 2510 - 3000 mm), stroke 360 mm application on top hung windows**

3A5#	Dual push points actuator C240 230 V
3A5#	Dual push points actuator C240 24 V

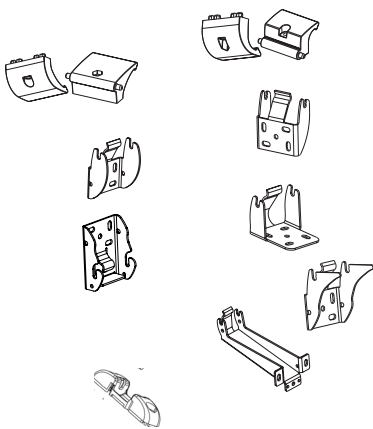
**C240 dual push points actuator (profile's length: 3010 - 4000 mm), stroke 360 mm application on top hung windows**

3A5#	Dual push points actuator C240 230 V
3A5#	Dual push points actuator C240 24 V

**Description of the standard pattern (profile's length: 1200 - 1500 mm) application on top hung windows**

3A5#	Dual push points actuator C240 230 V
	Frontal bracket for top hung windows (2 pcs)
	Clamps set for top hung brackets (2 pcs)
	ARS Fast hooking device to the frame (2 pcs)

**Note:** Part Numbers will be assigned according to the required profile's length.



**Accessories and spare parts**

3A5005	Clamps for top hung windows
3A5006	Clamps for bottom hung windows
1A5822	Slim frontal bracket for top hung windows (window opening min. 400mm)
1A5827	Frontal bracket for top hung windows (window opening min. 700mm)
1A5823	Bracket for vertical mounting (window opening >350mm)
1A5829	Bracket for bottom-hung outward opening application (window opening 550mm)
1A5832	Bracket for installation on bottom hung windows
1A5828	Fallback bracket for bottom hung windows
1UA003	ARS Rapid hooking device to the frame - grey

