

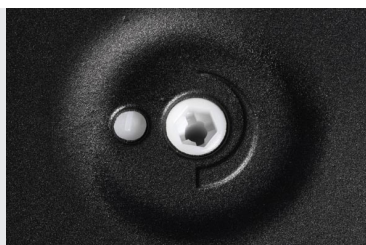
C40

Chain actuator
Thrust force 400 N
Adjustable stroke max.500 mm

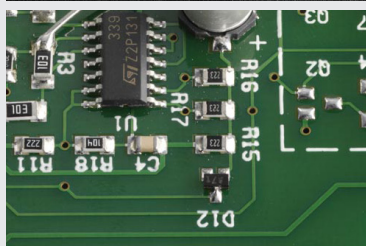


PRODUCT DESCRIPTION

Electric C40 actuator with double link articulated chain, enclosed in a suitable casing, with different mounting accessories for top and bottom hung windows. Operation at 230V 50Hz or, as an alternative, at 24V DC. Maximum applicable load 400N. Fast hooking and unhooking system of the chain to the window. Max. stroke 500mm, end of stroke adjustable at 100, 150, 200, 250, 300, 350, 400 mm by an external knob located on both sides of the actuator. Electronic device with acoustic warning to signal erroneous installation to the user. Electronic traction control with speed reduction, during the last 100mm of closing action. High protection IP 55 rated. Upon request, a preset "S" version for the synchronous operation of two actuators on the same window is available. CE marked device.



Easy stroke adjustment (7 positions from 100 to 500mm).



Electronic traction control with speed reduction to avoid chain adjustments in closing and avoid any possible installation mistake.



High protection IP 55 rated.

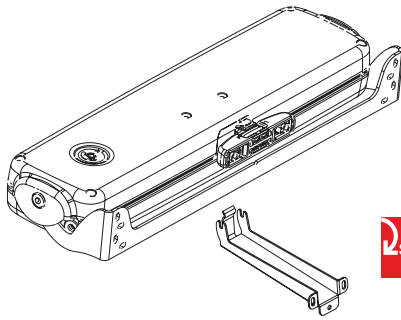


TECHNICAL SPECIFICATIONS

C40 230V

C40 24V

Power supply voltage	230V ~ 50Hz	24V d.c.
Maximum applicable load in thrust	400 N	400 N
Maximum applicable load in traction	400 N	400 N
Strokes	100 - 150 - 200 - 250 - 300 - 400 - 500 mm	
Absorbed current	0,24 A	1,1 A
Idle translation speed	18,5 mm/s	10,5 mm/s
Duration of the idle stroke	27 s	48 s
Double insulated	YES	-
Service Type	S2 of 5 min	S2 of 8 min
Operating temperature	- 5°C + 50°C	- 5°C + 50°C
Protection Class	IP 55	IP 55
Adjustment of the window frame connection	not necessary	not necessary
Adjustment of pins for the swivel brackets	YES	YES
Parallel connection option	with S version	with S version
Synchronous operation of 2 C40s on the same window	YES	YES
Chain position control	Electronic in opening, by amperometric absorption in closing	
Acoustic warning for wrong installation (Buzzer)	YES	YES
Dimensions	387,6x95x50 mm	
Weight	1,9 kg	



C40 standard 1 push point

3A2#	C40 chain actuator 230V - black
3A2#	C40 chain actuator 230V - grey
3A2#	C40 chain actuator 230V - white
3A2#	C40 chain actuator 24V - black
3A2#	C40 chain actuator 24V - grey
3A2#	C40 chain actuator 24V - white



C40S synchronised for 2 push points on the same window frame

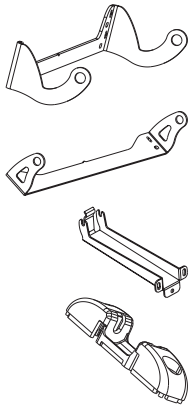
3A22#	C40S Chain actuator 230V black
3A22#	C40S Chain actuator 230V grey
3A22#	C40S Chain actuator 230V white
3A22#	C40S Chain actuator 24V black
3A22#	C40S Chain actuator 24V grey
3A22#	C40S Chain actuator 24V white

Description of the standard pattern for 1 push point

3A2#	C40 chain actuator C40 230V (spare parts included)- black
	Swivel frontal bracket for top/bottom hung windows - black
	Upper bracket for bottom hung windows - black
	ARS Rapid hooking device to the frame - black

Description of the standard pattern for 2 push points

3A22#	C40S chain actuator 230V black 5mt cable
3A22#	C40S chain actuator 230V black 5mt cable



Accessories and spare parts

1A2600	Swivel frontal bracket for top/bottom hung windows - black
1A2602	Swivel frontal bracket for top/bottom hung windows - grey
1A2601	Swivel frontal bracket for top/bottom hung windows - white
1A2610	Swivel bracket for vertical mounting - black
1A2612	Swivel bracket for vertical mounting - grey
1A2611	Swivel bracket for vertical mounting - white
1A2620	Upper bracket for bottom hung windows - black
1A2622	Upper bracket for bottom hung windows- grey
1A2621	Upper bracket for bottom hung windows - white
1UA001	ARS Rapid hooking device to the frame - black
1UA003	ARS Rapid hooking device to the frame - grey
1UA002	ARS Rapid hooking device to the frame - white
3UM000	C30/C40 spare parts

