



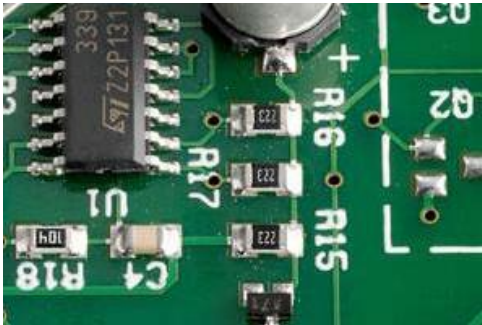
C20

Chain actuator – Thrust force 300N – Max stroke 360 mm

Double link chain with very high resistance on top loads



High stroke, together with a reduced size of the actuator, to allow applications that require minimum size (international patent on the chain path).



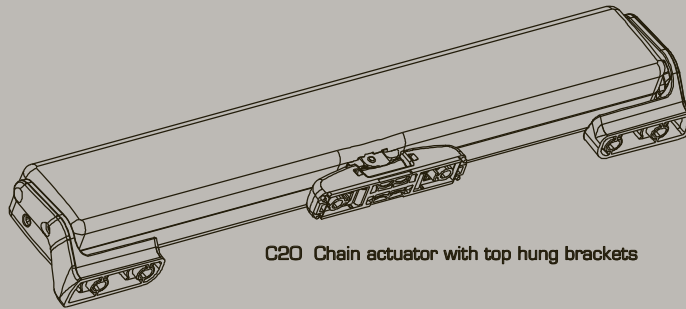
End of stroke during closing action with current absorption, to avoid adjustments during closing action and avoid possible positioning errors of the actuator.



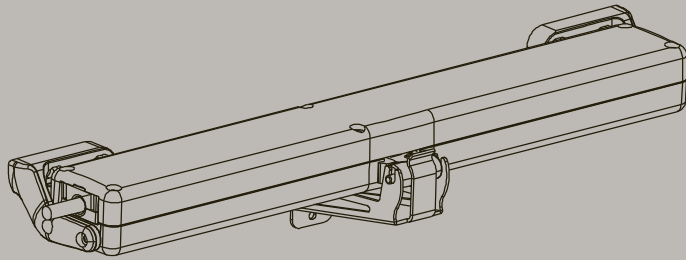
Tandem connection available, both at 230V and 24V, when 2 push points are requested on the same frame.

Fast hooking and unhooking system to the window (international patent).

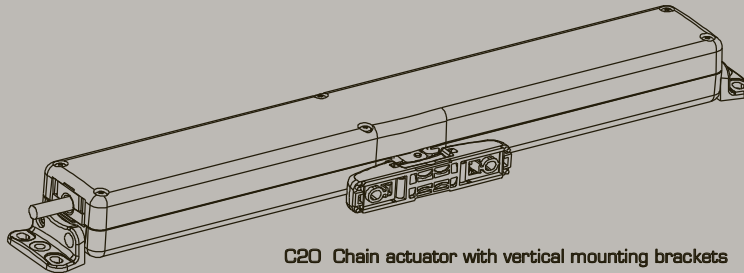




C20 Chain actuator with top hung brackets



C20 Chain actuator with bottom hung brackets

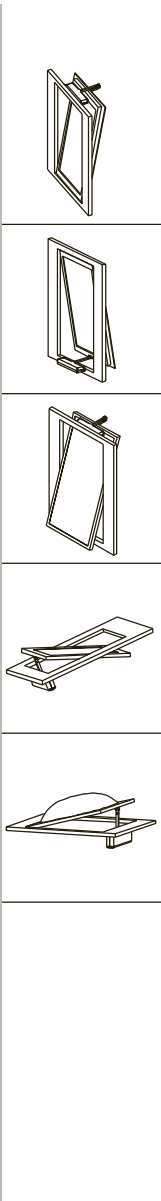
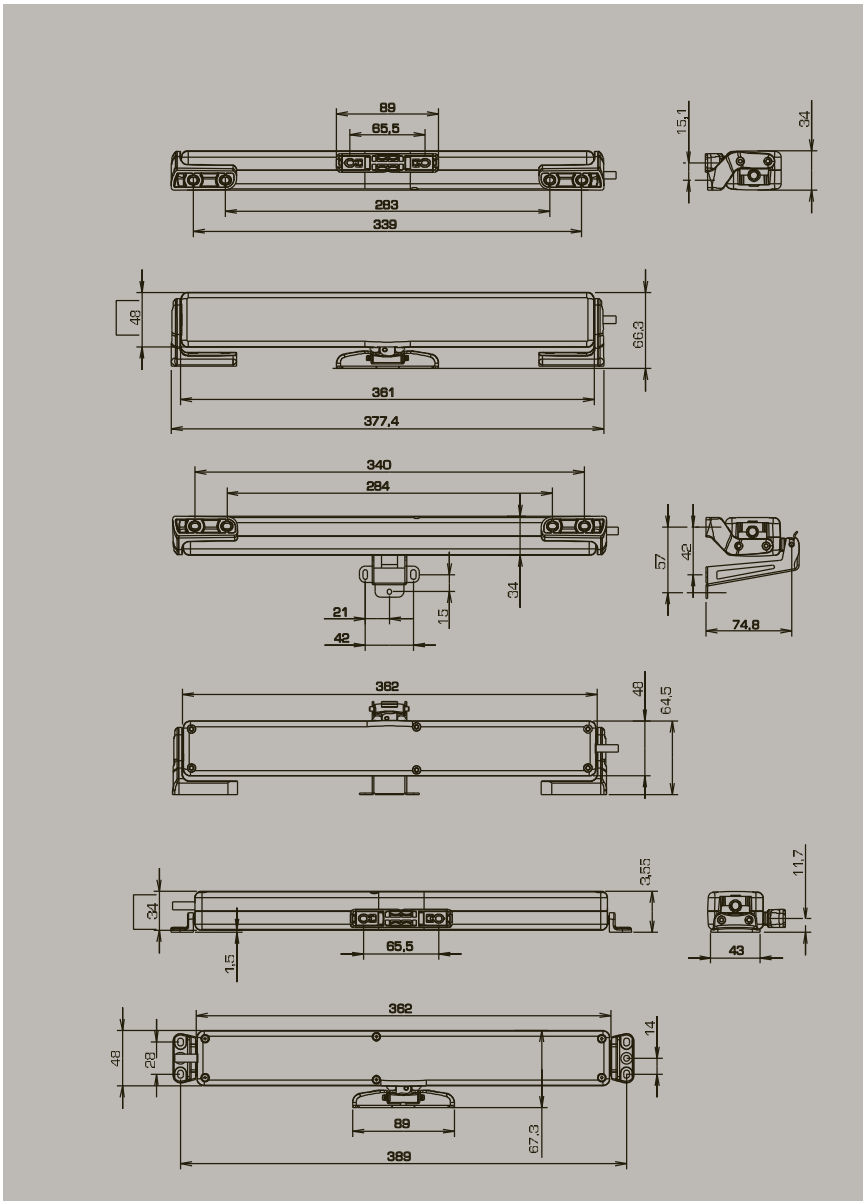


C20 Chain actuator with vertical mounting brackets

Technical characteristics

	C20/230	C20/24
Power supply voltage	230V~50Hz	min. 21V - max. 28V d.c.
Max recommended load in thrust position		300N
Max recommended load in traction position		200N
Stroke adjustable at		240 and 360 mm
Absorbed current	0,12A	0,43A
Idle translation speed	8 mm/s	7,5 mm/s
Duration of the idle stroke	46 s	48 s
Double electric insulation	yes	-
Service type		S2 of 4 min.
Operating temperature		- 5 +50° C
Protection degree of electric devices		IP 30
Stroke end regulation (in closure) to window frame		not necessary
Connection of two or more actuators in parallel		yes
Stroke end		electronic in opening - by amperometric absorption in closure
Dimensions		362x48x34 mm
Weight*	0,970 kg	0,940 kg

*the weight indicated in the table is subject to eventual variations according to the accessories chosen



Description for technical specifications

<p>Electric actuator TOPP, model C20 with double link articulated chain, contained in a suitable casing, complete with support and fitting accessories for top and bottom hung windows. Operation at 230V~ 50Hz or, as an alternative, at 24 V d.c. Maximum applicable load 300N. Rapid coupling for the adjustment to the frame. Stroke adjustable by an external selector, at 24 and 36 cm. CE marked device complying with the following directives: EEC 89/336, EEC 73/23 and following amendments.</p>

