



ACK4

Chain actuator – Thrust force 300N – Max stroke 400 mm

Adjustment of the stroke in 7 positions from 100 to 400mm (international patent).



Double link stainless steel chain.



Simple swivel brackets, fast and suitable for windows of any type and size (not included in the packaging).



Acoustic device to indicate wrong installation (buzzer).



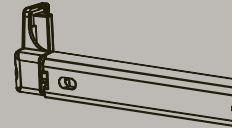
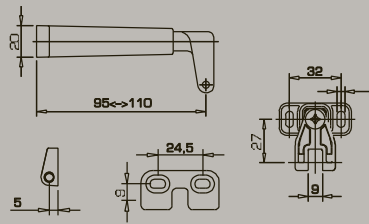
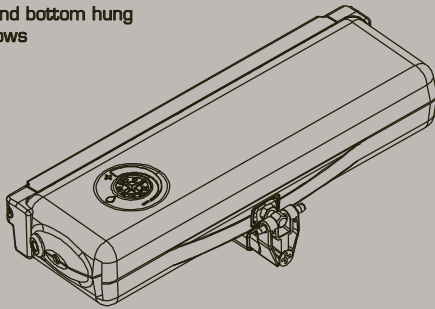
High protection degree IP 55.



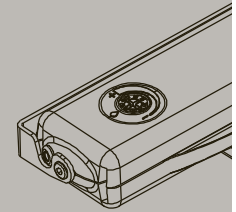
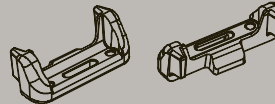
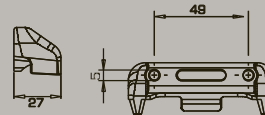
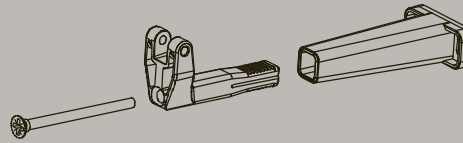
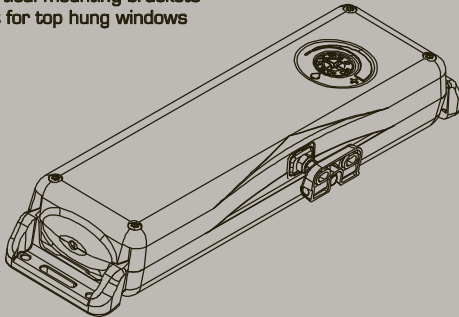
ACK4TOPP
movement technologies



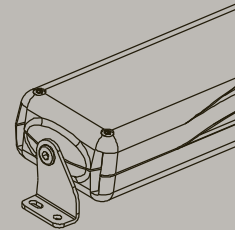
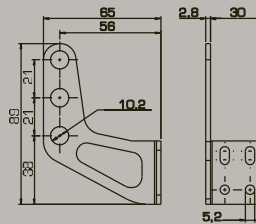
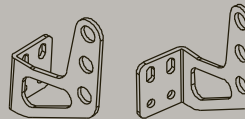
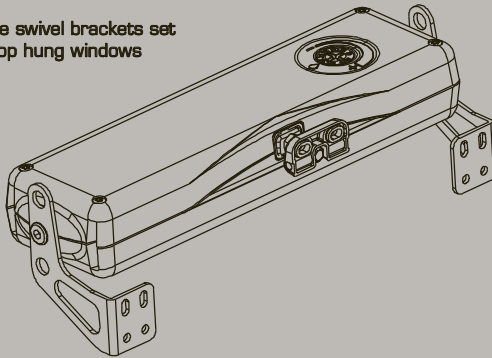
Standard brackets for top and bottom hung windows



Vertical mounting brackets set for top hung windows



Large swivel brackets set for top hung windows



Technical characteristics

| | ACK4/230 | ACK4/24 |
|---|--------------------------------|-------------|
| Power supply voltage | 230V~50 Hz | 24V d.c. |
| Max recommended load in thrust/traction position | 300 N | |
| Stroke end adjustable at | 100-150-200-250-300-350-400 mm | |
| Absorbed current | 0,32 A | 2,10 A |
| Idle translation speed | 28 mm/s | 18 mm/s |
| Duration of the idle stroke | 14 s | 22 s |
| Double electric insulation | yes | - |
| Service type | S2 of 2 min | S2 of 3 min |
| Operating temperature | -5 +50 °C | |
| Protection degree of electric devices | IP55 | |
| Stroke end regulation (in closing) to window frame | 10 mm | |
| Connection of two or more actuators in parallel | yes | |
| Connection/synchronisation of two ACK4* on the same window | with kit USA2 only | |
| Chain position control | yes | |
| End of stroke | by encoder | |
| Electronics with acoustic device to warn the user of wrong installation | yes | |
| Dimensions | 288,5x83x47,8 mm | |
| Weight** of installed equipment | 1,9 Kg | |
| * min. distance between the motors: 1500 mm | | |
| **the weight indicated in the table is subject to eventual variations according to the accessories chosen | | |

