



**Rocburn Access Hatch
Smoke Ventilation Range**

NSHEV+ROOFACCESS Single Flap (Electric)

CE - This smoke vent meets the European regulation EN 12101-2 in force.



Rocburn Access Hatch MoE (one opening flap) is designed to fit with all kind of existing support (concrete, steel, wood...), and can be controlled by thermofuse and/or electrical control box.

Equipped as an option with a cross bar for roof access, an adaptation for ladder and an opening griddle, this skylight also allows an access to the roof in safety.

Dimensions

Performances

Characteristics

References	DT ⁽¹⁾ l x L in	DB ⁽¹⁾ l x L in	SGO (Av) in m ²	Lighting surface (SLu) in m ²	Aerodynamic surface (Aa) in m ²			Snow load/Working pressure (bar) ⁽⁴⁾						Total volume of pistons in liters (L)						
					E (Eco)	S (Standard)	+ (Plus)	MoT		MoE		MoP								
								PCA ⁽²⁾ SL 250 (3)	CAI/DD ⁽²⁾ SL 500 (3)	PCA ⁽²⁾ SL 250 (3)	CAI/DD ⁽²⁾ SL 500 (3)	PCA ⁽²⁾ SL 250 (3)	CAI/DD ⁽²⁾ SL 500 (3)							
C 100 Straight	100 x 100	100 x 100	1,00	1,00	0,40			●	●	●	●	4,7A	6,2A	5,2A	6,7A	16	27	16	27	1,70
C 120 Straight	120 x 120	120 x 120	1,44	1,44	0,58			●	●	●		5,2A	7,1A	5,7A	7,6A	13	23	13	23	2,11

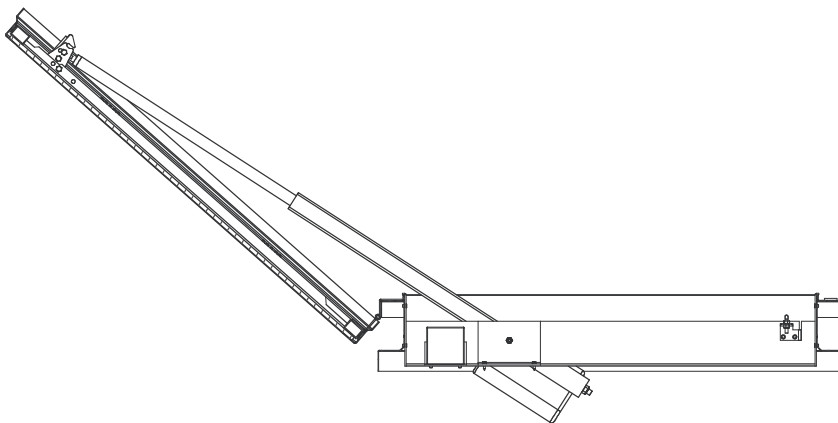
(1) DT = Dimension Top of upstand (Commercial reference) and DB = Dimension Bottom of upstand (Geometrical area) - (2) PCA = Multilayer polycarbonate panels 10 or 16 mm, CAI = Insulated aluminium cover and DD = Double Dome - (3) SL 250 (0-400 m of altitude) - SL 500 (400-800 m of altitude and more)

Ask about our other smoke vent equipment





**Rocburn Access Hatch
Smoke Ventilation Range**



Rocburn Access Hatch in safety position

COMPONENTS:

- A metallic upstand in galvanized steel of 150mm high, which can be installed on all kinds of existing support (concrete, steel, wood....)
- This product also allows you to transform the original function of an existing skylight while conserving the existing upstand
- An aluminium frame which protects the periphery of dome or PCA
- A thermofuse pre-installed in the factory (optional)
- On opening flap controlled by thermofuse and / or electrical control box. The opening power is given by a 24v drive integrated in the whole system

FILLING:

- **STANDARD**
 - PCA 10mm 4 Skins
- **OPTIONAL:**
 - PCA 16mm 7 Skins
 - Double dome in PMMA, polycarbonate or Hexachoc 1200J
 - Insulated aluminium cover

Working	Type B opening + closing
Cycles	Re 10,000 (daily ventilation) + Re 1,000 (smoke extraction)
Snow load	SL 250 or SL 550
Low temperature	T (-15°)
Wind load	WL 1 500 Pa
Resistance to heat	B 300 °C

Ask about our other smoke vent equipment

